

JADE

Portable X-ray System

Compact & Elegant Design
Convenient & Intuitive Operation



JADE Portable X-ray System

High Performance and Reliability

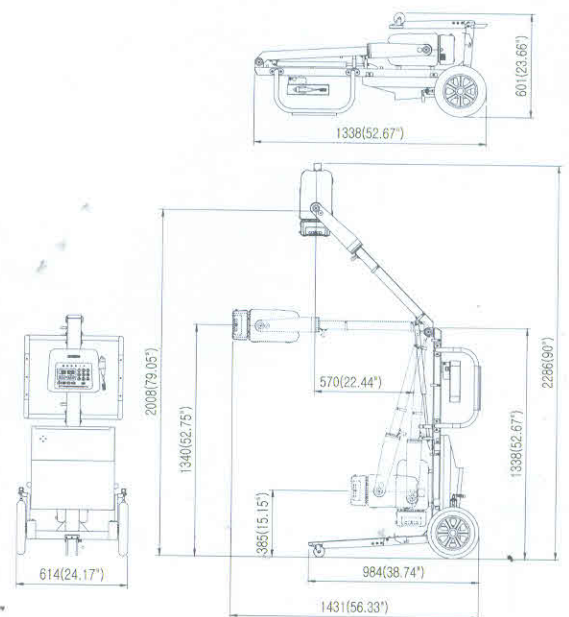
Compact & Elegant Design

JADE is an innovative, highly versatile portable X-ray system suitable for a variety of clinical uses. Utilizing the unique technology used in DRGEM's universally recognized X-ray generators, JADE is a compact but powerful unit with a 4kW output and thoughtfully designed components to increase efficiency and maximize workflow. The core part of X-ray source adopts high quality tube assembly, X-ray collimator and high frequency X-ray generator with excellent performance, lifetime and stability.



Convenient & Intuitive Operation

JADE is one of the lightest portable X-ray systems on the market, allowing it to be used in any imaginable way including bedside, operating rooms, intensive care units and in veterinary fields. With a simple, easy-to-use operator console, three-way control, two-step foldable stand and auto lock system, JADE is a user-friendly portable X-ray system.



* Unit : mm(inch)

Features

- 4kW, 100kHz, high frequency X-ray Generator
- Maximum 120kVp / 0.1~250mAs
- 330~2000mm FD
- 53.5kg including X-ray unit, collimator and stand
- Maximum height of 228.6cm
- Collimator with 30 seconds LED lamp timer
- Exposure Hand Switch
- Foldable, two-step stand
- Vehicle loadable
- Wheel lock
- Automatic tube arm lock at any angle
- Storage space for cassettes or detectors
- User Programmable APR, save up to 9 APR settings
- Three way X-ray exposure
- USB interface & Bluetooth
- Remote control (Option)

Three-way Control



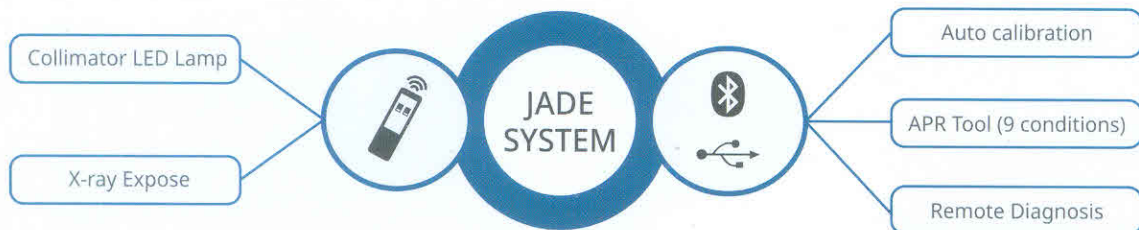
Operator Control Panel



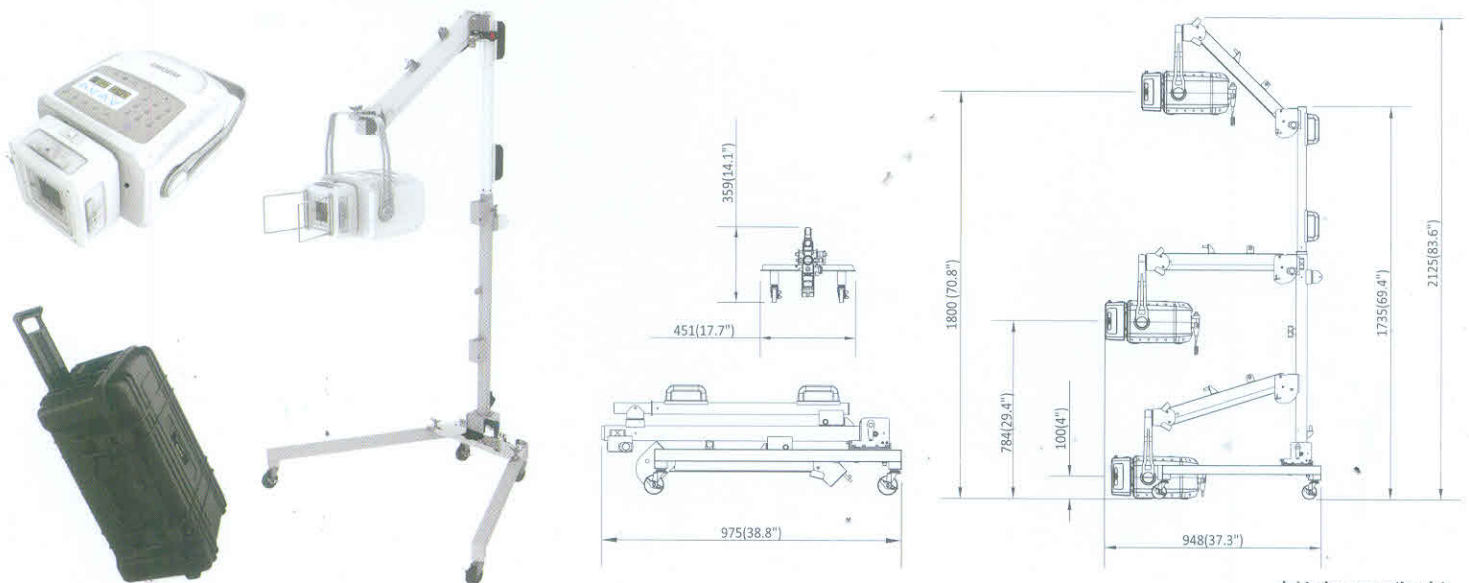
External Operator Control Panel



Remote Control



Veterinary Portable X-ray System



* Unit : mm(inch)

DRGEM

Your Best Healthcare

©DRGEM Corporation - All rights reserved.
Reproduction in whole or in part is prohibited without the written consent of the copyright-holder.

Specifications and features are subject to change without notice.
All changes will be in compliance with regulations governing manufacture of medical equipment.

Address

Head Office/R&D 7F,E-B/D Gwangmyeong Techno-Park, 60 Haan-ro, Gwangmyeong-si, Gyeonggi-do, Korea [14322]
Gumi Factory 116-59, Sanho-daero, Gumi-si, Gyeongsangbuk-do, Korea [39377]

DRGEM Customer Service Center

• 24/7 Support

DRGEM's Customer Service team is available 24/7, 365 days a year* via e-mail or Skype to support clients whenever they need.

• Remote Diagnosis

Remote diagnosis can help minimize downtime by quickly finding the cause of errors and by detecting potential issues before problems occur.

*May vary by country.

