



Salient Dual pictured with the wireless Remote Control Unit (DC009DW only)

Mobile, Reliable, Simple

MEDRAD[®] Salient
Contrast Injection System

MEDRAD Salient™ Contrast Injector

Specifications Overview

Functional

Maximum pressure	300 psi
Flow rate	0.1 to 10 ml/s
Maximum volume	190 ml
Multi-phase protocols	Up to six phases Storage for 20 different named protocols
Manual fill rate	Up to 10 ml/s
Auto fill rate	Up to 10 ml/s

Controls

Base	Line power IEC Inlet On/off switch
Head	5.7" LCD touch screen Arm button On/off soft switch
Hand switch (optional)	Inject now/stop
Foot switch (optional)	Inject now/stop
Infrared Remote control	Inject now/stop

Mechanical

Weight	25.5 kg
Height	1315 mm
Floor area	500 mm x 500 mm
No. of wheels	4 castors, all individually locking

Electrical

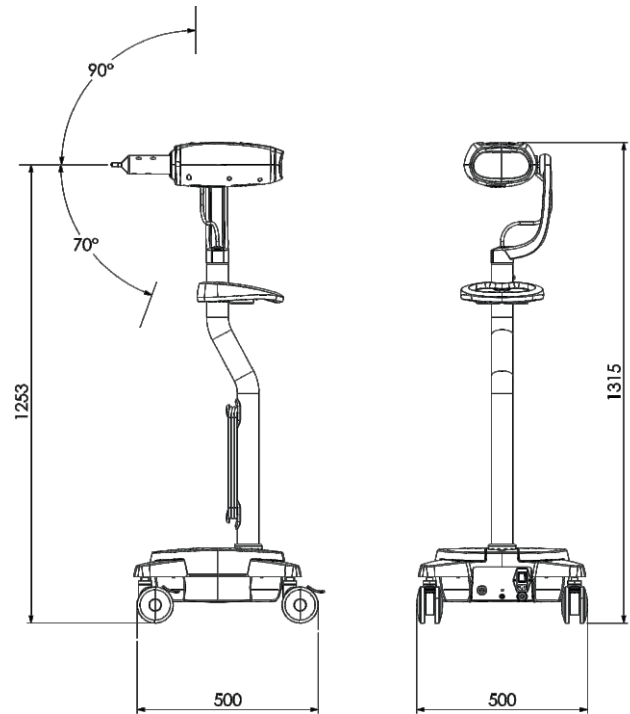
Line voltage	100 – 230 VAC
Line frequency	50/60 Hz
Battery operation	Dual batteries, sealed lead acid
Mains power operation	Simultaneous operation and battery charging
Contrast heat maintainer <i>(one (1) included)</i>	37°C +/- 4°C, 5W

Ordering Details

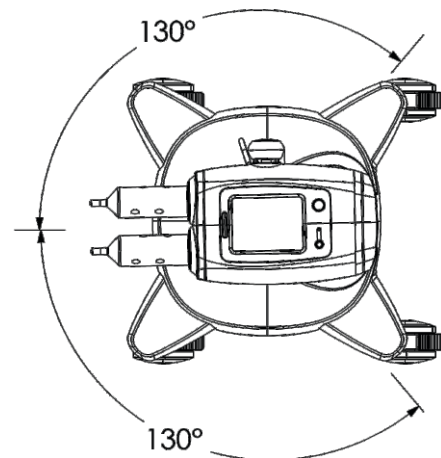
PART NAME	PART NO
Salient Single Injector	DC009S
Salient Single Injector with Remote Control Unit	DC009SW
Salient Dual Injector	DC009D
Salient Dual Injector with Remote Control Unit	DC009DW
Scanner Interface Box (Optional)	DC200
Connector Tubing, for Dual (Box of 50)	ZY5152
Connector Tubing Single (Box of 50)	ZY5151
Syringe with quick fill tube (Box of 50)	ZY6322
Syringe with fill spike (Box of 50)	ZY6323
Syringe with fill spike, single LPCT (Box of 50)	ZY6324
Syringe with quick fill tube (Box of 50)	ZY6325
Foot Switch	SF0004
Hand Switch	SF0005
Wall Loader	MDL001
Heat maintainer (one (1) included)	DC022
Operations Manual - Multilanguage CD (one (1) included)	MN040015

DIMENSIONS

Side View



Top View



Disclaimer: This LBL is circulated solely for informational purpose. The information contained herein should not be utilized to diagnose or treat a health problem or disease without referring to the full prescribing information for the product referenced. Although great care has been taken in compiling the information, Bayer Pharmaceuticals Private Limited shall not be responsible/liable in any way for the present and/or continued accuracy of the information or for any errors, omissions or inaccuracies in this publications whether arising from negligence or otherwise howsoever, or for any consequences arising therefrom.

For the use of registered medical practitioners or laboratory or hospital only.



Bayer Pharmaceuticals Private Limited,
Bayer House, Hiranandani Estate, Thane, India. Pin: 400 607 or
email - medicalinfo.india@bayerzyduspharma.com