

# GXR Series

## High Frequency X-ray Generator

### Superior performance and stability

#### Features

- Fully Automatic mA/kV Calibration
- Easy parameter setting and firmware upgrade
- System self-diagnosis function
- System quality maintenance via Remote Diagnosis
- Real time monitoring self diagnosis and error code display
- Remote Diagnosis via internet reduces service cost and down time
- Tube overloading and housing overheating protection
- User-programmable anatomical programs with APR Utility
- Dual speed starter : Direct drive by 6-pack IPM circuit, dynamic brake



#### Options

- AEC (Automatic Exposure Control) Interface
- DR (Digital Radiography) Interface: SDK, PC interface module, Signal interface
- Pedestal Console Stand
- 23" Touch Screen Console



Touch Screen X-ray Control Console

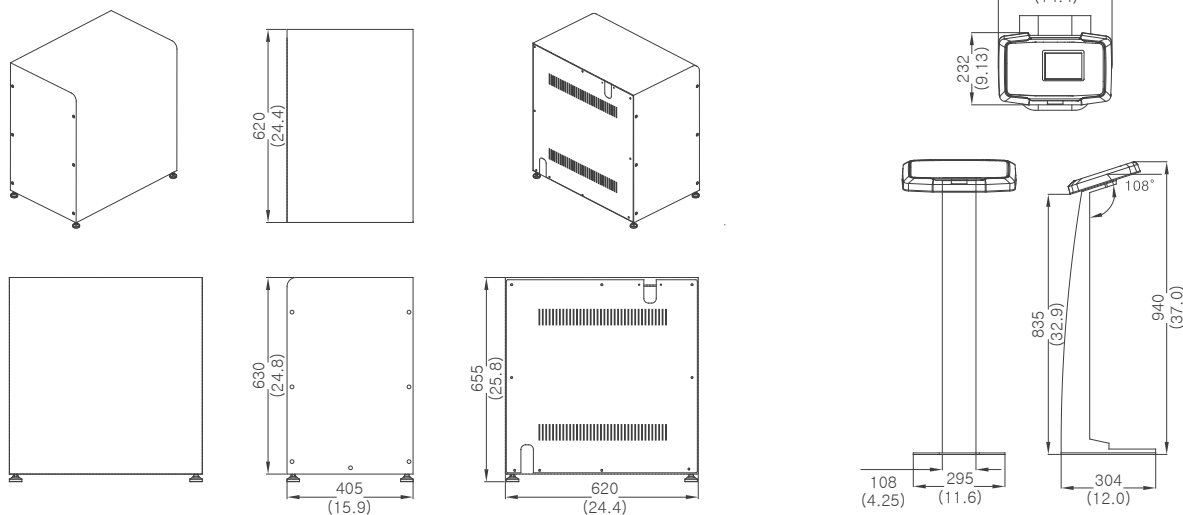


## Specification

Model	GXR-32	GXR-40	GXR-52	GXR-68	GXR-82
Output Rating	32kW	40kW	52kW	68kW	82kW
Line Nominal, Phase	230VAC, 1Φ 400/480VAC, 3Φ		400/480VAC, 3Φ		
Line Voltage Range	±10% (Frequency: 50*/60Hz) *Outside North America				
kV Range	40~125kV, 1kV step Optional 40~150kV		40~150kV, 1kV step		
mA Range	10 to 400mA	10 to 500mA	10 to 640mA	10 to 800mA	10 to 1,000mA
Timer Range	0.001 to 10 sec, 38 steps				
mAs Range	0.1 to 500mAs (Optional higher mAs)				
Max. Power Output	400mA@80kV 320mA@100kV 250mA@125kV 125mA@150kV(1Φ) 200mA@150kV(3Φ)	500mA@80kV 400mA@100kV 320mA@125kV 160mA@150kV(1Φ) 250mA@150kV(3Φ)	640mA@81kV 500mA@104kV 400mA@130kV 320mA@150kV	800mA@85kV 640mA@106kV 500mA@136kV 400mA@150kV	1,000mA@82kV 500mA@150kV 800mA@102kV 640mA@128kV
Rotor Supply	Low Speed Dual Speed (Option for 3Φ)		Dual Speed (Option for GXR-52)		
Reproducibility	Coefficient of Variation: kV<0.005, Time<0.005, mAs<0.01				
Accuracy	kV < ±(1%+1kV), mA < ±(3%+1mA), Time < ±(1%+0.5ms), mAs < ±(3%+0.1mAs)				
Linearity	Coefficient of Linearity < 0.01 : CL = (X1-X2)/(X1+X2), where X is mR/mAs				
Anatomical Programs	User Programmable max. 1,280 programs with APR utility software				
Technique Selection	4 point display (kV, mA, Time, mAs)				
Image Receptors	2 Bucky + 1 Non-Bucky				
Auxiliary Power Supply	External System Power		230VAC, 1A, 230W		
	Magnetic Lock Power		110VAC, 1A, 110W		
	Magnetic Lock Power		28VDC, 5A, 140W		
	Collimator Lamp Power		24VAC, 6.3A, 150W		

## Dimension

Unit: mm (Inch)



© DRGEM Corporation - All rights reserved. Reproduction in whole or in part is prohibited without the written consent of the copyright-holder.

Specifications and features are subject to change without notice. All changes will be in compliance with regulations governing manufacture of medical equipment.